

chorus



www.chorusfurniture.com

t +44 (0)20 8545 1640
info@chorusfurniture.com
 @allaboutchorus

MIR
Design: Mark Gabbertas



MIR

Design: Mark Gabbertas



Mark came to the world of furniture design in a circuitous way having worked in advertising and then training as a cabinet maker, before establishing what is now regarded as one of the leading design studios in the UK. The intent is to create character through simplicity ...it is all too easy to shock, but much more difficult to please... through the rigorous pursuit of design that has both elegance and a lasting aesthetic. These are not fashionable concepts, but that is the point.



Design
Guild Mark

Design Guild Mark Award 2013

MIR hub units



MIR is public area modular seating: molecular in concept, and highly flexible, utilising 1500mm round 'hubs' with or without a central back support, and having one, two or three exit points from which straight benches emerge to link to other hub units or to additional benches. These configurations can be accompanied by the complementary low stools or aluminium table, absolutely suited to notebook and laptop use or for resting drinks.

MIR is ideal for use in spaces where people gather in numbers; hotel foyers, transit lounges, Student Unions and atria of all kinds.

MIR bench units



There are three lengths of bench with all seating pieces being fully upholstered and spaced off the floor by discreet supporting, powder coated, steel feet with nylon glides.

MIR offers the designer full rein in creating different configurations of layout and the opportunity to 'play' with fabric colour on the different elements.

MIR stools & table

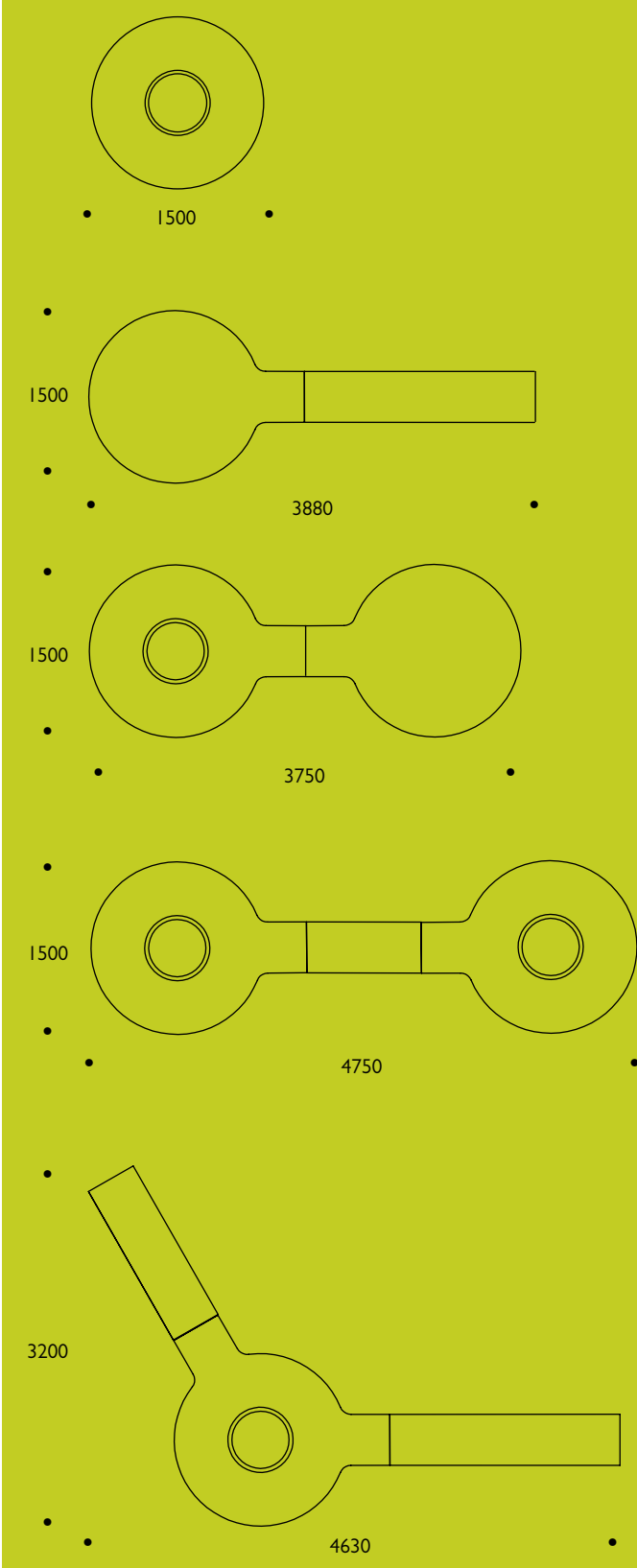


All elements can be used separately and individually including the 'satellite' stools, which are available in two heights. The 'laptop' table is available powder coated in either matt white or matt black as standard.





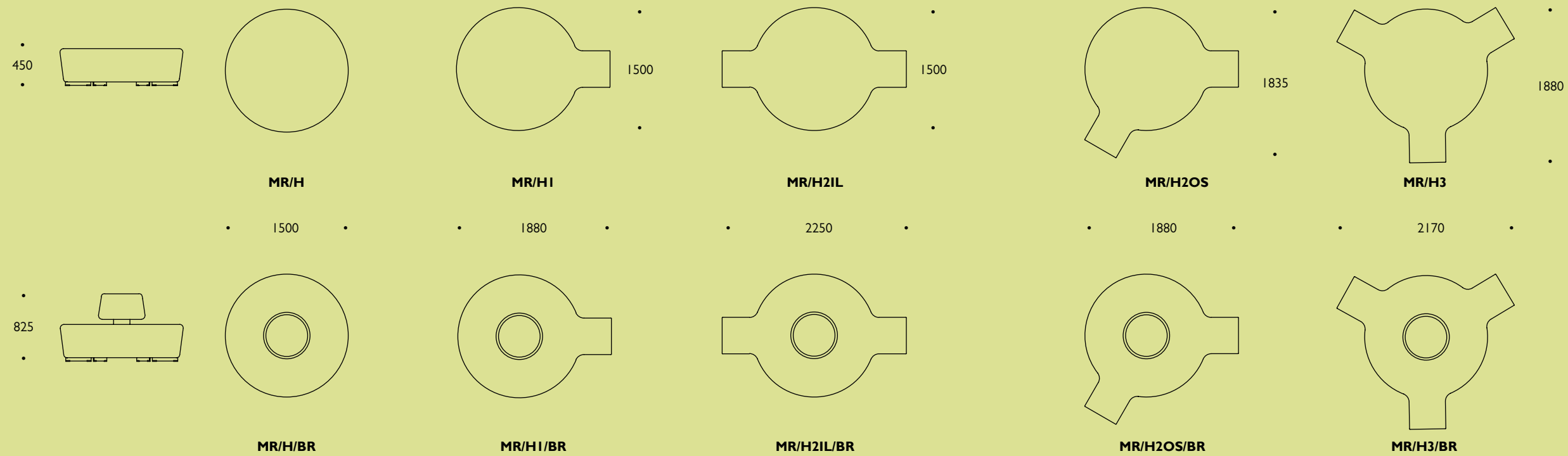
MIR configurations



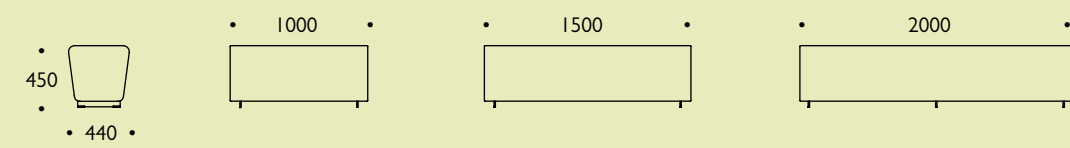
MIR

vital statistics

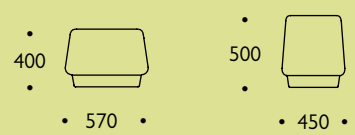
Hub units



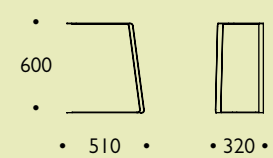
Benches



Stools



Table



Hub unit and bench feet, black powder coated as standard.

Stitching to match the fabric as standard.
Contrast stitching available on request, POA.

Table powder coated black or white as standard.

The collection

Chorus is a young company, working with a small group of renowned and talented designers, developing a collection of contemporary contract furniture designs. These designs find their application in the corporate, leisure, educational and hospitality sectors.

Please visit our website where you will be able to download our price list and specification guide, and do contact us with your enquiries, by telephone or email:

t +44 (0)20 8545 1640

e info@chorusfurniture.com

t [@allaboutchorus](https://twitter.com/allaboutchorus)

w www.chorusfurniture.com

